

AutoVue™

3D PROFESSIONAL ADVANCED

With its native document viewing, markup and real-time web based collaboration capabilities, AutoVue 3D Professional Advanced facilitates information sharing throughout the global enterprise, and enables enhanced collaborative practices. Global design centers, supply chain partners, and internal departments can easily access, share and collaborate on 3D/2D CAD documents earlier in the design process to improve productivity, expedite design reviews, reduce errors and accelerate innovation and time to market.

WHY IS AUTOVUE RIGHT FOR YOU?

- **Standardize Design Review Processes**

Provide global team members with greater visibility into the product development process, allowing them to instantly access crucial product-related information and efficiently communicate feedback, comments, suggestions and change requests. Document review and troubleshooting processes can be standardized on a single solution, avoiding organization and technology issues that hinder collaboration and impact negatively on cost, schedules, and product quality.

- **Simple IT Infrastructure with Native Document Viewing**

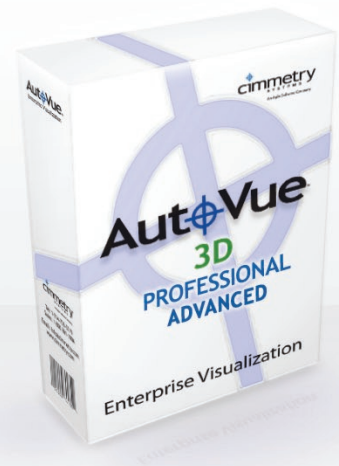
AutoVue 3D Professional Advanced delivers native document viewing, without requiring the authoring application or undergoing costly and error-prone document conversions. Since file conversion is not required, AutoVue 3D Professional Advanced eliminates the cumbersome task of creating and managing a double set of data, i.e. the original document and the converted/neutral files. The cost and complexity of maintaining multiple client-side viewers and server-side conversion systems is eliminated. Storage costs are also kept to a minimum as converted documents are not being emailed around to everyone for review.

- **Perform Simultaneous Multi-Party Real Time Collaboration***

Allow extended global teams to communicate as if they were in the same room. Simultaneously review and markup documents, assign action items, and resolve design issues in real-time within AutoVue 3D Professional Advanced. AutoVue's built in real-time collaboration capabilities are available to customers at no additional cost.

- **Protect Valuable Intellectual Property**

With AutoVue Web Edition, an image of the document is streamed to desktops for viewing; original documents never leave the server, and no local temp file or local cache file of any kind is created in the process. Sensitive information and valuable intellectual property remain protected at all times.



**VIEW, REVIEW,
AND COLLABORATE
MORE EFFICIENTLY
AND SECURELY
ON YOUR 3D/2D
CAD DESIGNS**

"AutoVue enables concurrent engineering at Selex and impacts productivity by allowing fast and accurate global design team reviews. This improves our time to market and product quality by aligning multi-discipline engineering and production teams at every stage in the product development process."

Dr. Claudio Ianiciello
Selex Communications,
a Finmeccanica
Company, and a supplier
of military and civil
communications systems

* AutoVue Web Edition only

KEY FEATURES AND CAPABILITIES

View Hundreds of Document Types

Open, view and markup a wide array of document types, including 3D/2D CAD, Office, PDF and graphics, without requiring the authoring applications. Visit our website at www.cimmetry.com for a complete list of supported formats.

Markups and Comments

Make it easy to manage and track comments and feedback from all reviewers with AutoVue 3D and 2D markup entities. Add text, sticky notes and dimensions. Click here to see a list of 3D markup entities.

Perform Precise 3D and 2D Measurements

Speed up design reviews by performing precise measurements including mass properties, distance, areas, angles, etc.

Compare 3D Designs

Compare 3D assemblies to determine what parts have been added, removed or changed. This unique AutoVue feature goes beyond a graphical comparison and includes the ability to detect changes to non-graphical attributes at the part or assembly level.

Create Exploded Views

Explode complex 3D assemblies to get to the component level faster and create clear illustrations for control documents such as assembly and maintenance instructions.

Section 3D Models

Cross-section assemblies or parts across multiple planes to draw attention to internal structures and assembly relationships or measure dimensions within individual parts.

View 2D Modes and Drafts of Models

Quickly access the 2D drafts associated with your 3D models.

Perform 3D Entity Search

Search and filter for parts in a 3D assembly based on a variety of native file attributes to quickly find the information you need.

Share PMI, GD&T and FTA data

Access PMI, GD&T and FTA, data and reliably convey product design information directly to the shop floor, manufacturing, quality and engineering departments, decreasing the time required to resolve design issues, and avoiding design and fabrication errors. Click here to see a list of supported PMI entities.

Combine 3D Files from Multiple Applications

Use AutoVue's 3D Digital Mockup (DMU) capabilities to import and combine parts of various native 3D CAD designs to easily create virtual prototypes, check for potential interferences and validate design integrity.

Advanced Printing

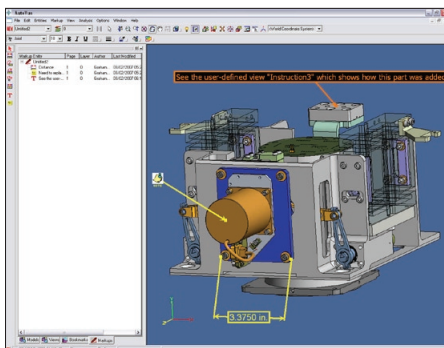
Save time by automating the printing process, batch print files, customize print settings and save printing configurations.

Leverage Existing IT Infrastructure with Easy Integration

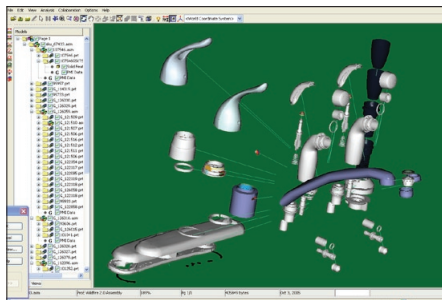
AutoVue 3D Professional Advanced can be integrated into existing Document Management, Product Lifecycle Management or Enterprise Resource Planning systems, providing a comprehensive enterprise visualization platform that makes original documents available to the entire organization and supply chain in a secure and controlled manner, wherever they may reside.

In an integrated environment, markups and annotations can be saved back into the file repositories of enterprise systems, maintaining document control.

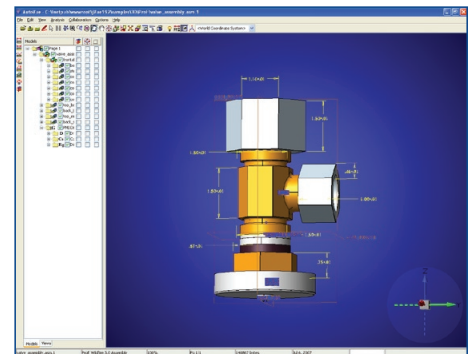
Visit our website at www.cimmetry.com to learn more about AutoVue's integration capabilities.



View and markup 3D CAD files.



Explode 3D assemblies. (Courtesy of Moen, Inc.)



View PMI, GD&T and FTA data.

Download a fully functional demonstration copy, try an online demo, or schedule a real-time collaboration meeting using AutoVue at <http://www.cimmetry.com>.



An Agile Software Company

Cimmetry Systems, Corp.
400 Sainte Croix, Suite 200 East,
Montreal, QC, H4N 3L4, Canada

Telephone: 1 514 735 3219
Sales: 1 800 361 1904
Fax: 1 514 735 6440

General Enquiries: info@cimmetry.com
Sales Enquiries: sales@cimmetry.com

Copyright © 2007, Cimmetry Systems Corporation. All Rights Reserved. Cimmetry Systems, Cimmetry, AutoVue and their logos are the designated trademarks herein as trademarks of Cimmetry Systems Corporation in the U.S., Canada and/or other countries. All other brands or product names are trademarks or registered trademarks of their respective holders.

www.cimmetry.com